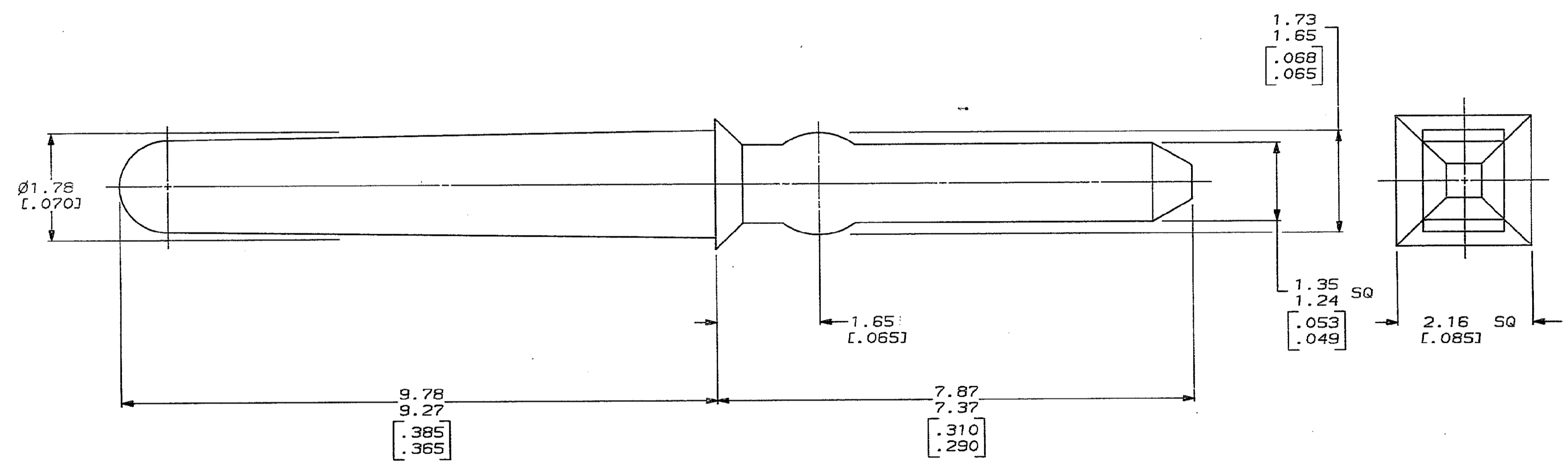


DRAWING MADE IN THIRD ANGLE PROJECTION  
 THIS DRAWING IS UNPUBLISHED. RELEASED FOR PUBLICATION  
 © COPYRIGHT 19 BY AMP INCORPORATED. ALL INTERNATIONAL RIGHTS RESERVED.

LOC	DIST	P	F	ZONE	LTR	REVISIONS	DATE	APPD
CM	54					REV AND REDWN PER ECN CM-11	3-22-91	TB

1. DIMENSIONS IN BRACKETS ARE IN INCHES.



640630-1  
PART NO

DO NOT SCALE PRINT. UNLESS SPECIFIED DIMENSIONS IN mm [INCHES] TOLERANCES ON: 2 PLC DEC ± - 3 PLC DEC ± 0.13 [.005] ANGLES ± -	DR <i>Beck 3-27-91</i>
	CHK <i>A. Smith 3-27-91</i>
	APPD <i>D. Miller 4-3-91</i>
	APPD
MATERIAL NYLON, 6/6 NATURAL	PRODUCT SPEC -
FINISH -	APPLICATION SPEC -
	WEIGHT -

<b>AMP</b> AMP Incorporated Harrisburg, PA 17105-3608	
NAME KEYING PLUG, MTA156	
SIZE C	CAGE CODE 00779
DRAWING NO 640630	SHEET 1 OF 1
SCALE 20:1	

**METRIC**